

Fixed Container Fittings

Breech Base Twistlock

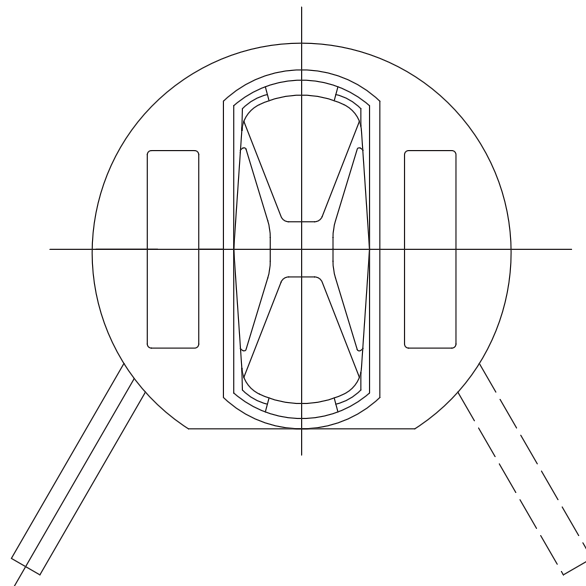
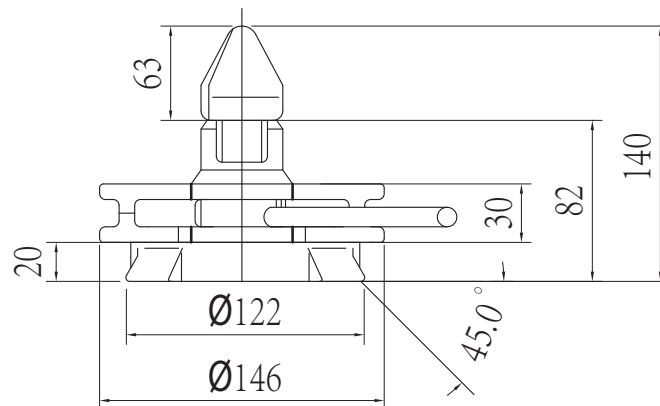
Weight:6.6Kg

Breaking Load:500KN

Material:Cone:Forged Steel

Body:Cast Steel

Finish:Hot Dip Galvanized



TL-Breech/B