

Fixed Container Fittings

Extension Rod

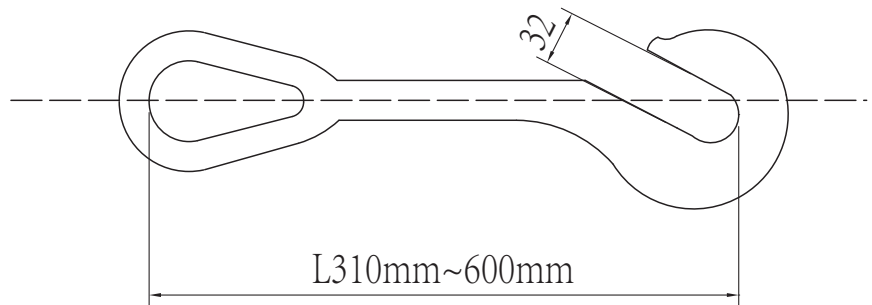
Weight:L=2310Mm;4.12Kg

L=600Mm;5.3Kg

Breaking Load:500KN

Material:Forged Steel

Finish:Hot Dip Galvanized



ER-A

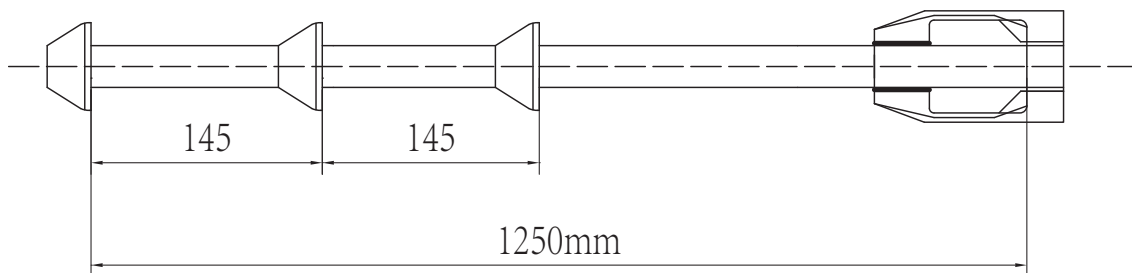
Extension Rod

Weight:7.8Kg

Breaking Load:500KN

Material:Forged Steel

Finish:Hot Dip Galvanized



ER-B