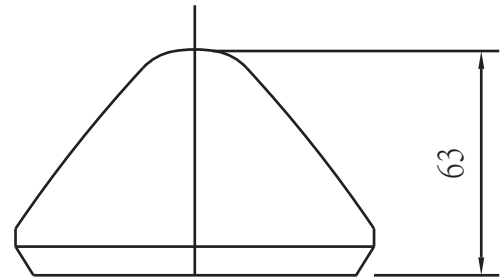
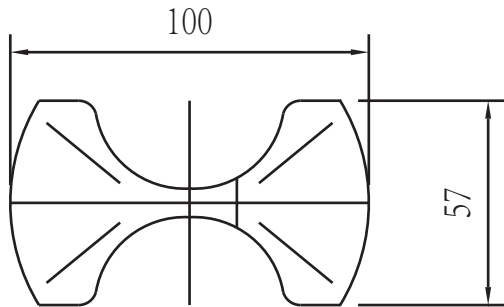


## Fixed Container Fittings

Guide Fittings



GB-3

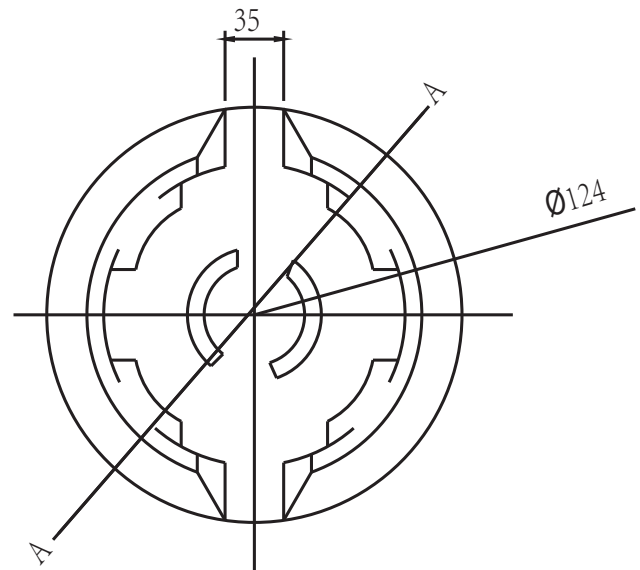
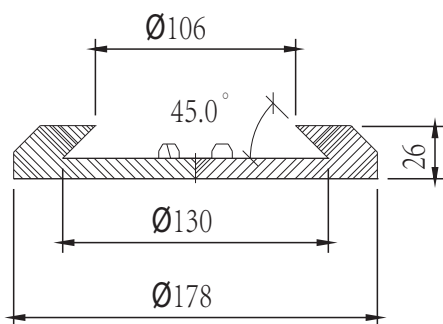
Breech Socket

Weight:3 Kg

Breaking Load:400KN

Material:High Tensile Steel

Finish:Primer Painted



DF-11