

Fixed Container Fittings

Eye-Swivehead Lashing Bar

Weight:L=2400Mm;14Kg

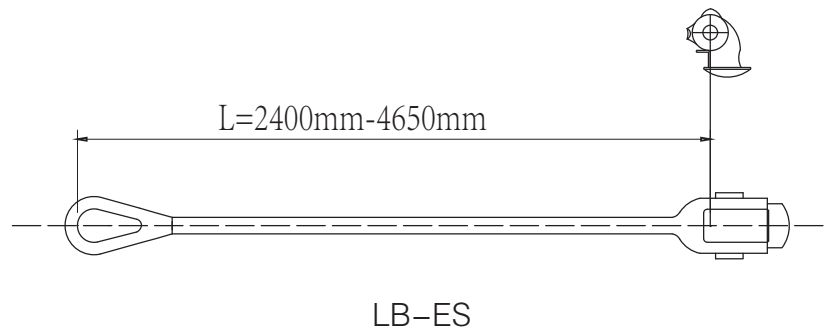
L=4650Mm;23Kg

Breaking Load:500KN

Material:Forged Steel

Finish:Hot Dip Galvanized

Other Length On Request



Knob Lashing Bar

Weight:L=2500Mm;15Kg

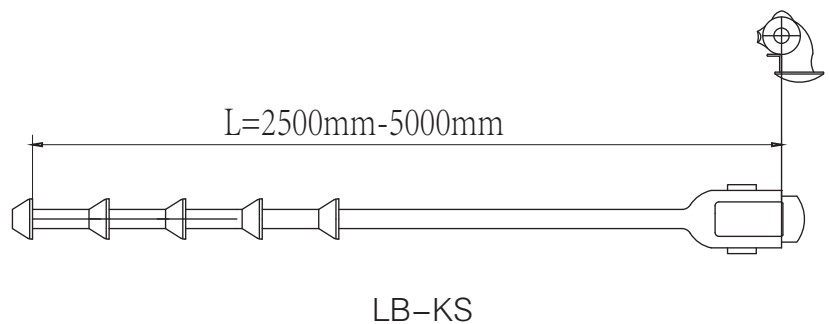
L=5000Mm;24Kg

Breaking Load:500KN

Material:Forged Steel

Finish:Hot Dip Galvanized

Other Length On Request



Eye Turnbuckle,Open Body,Double Acting

Weight:L=4400Mm;21.5Kg

Breaking Load:500KN

Material:Forged Steel

Finish:Hot Dip Galvanized

Other Length On Request

