

Fixed Container Fittings

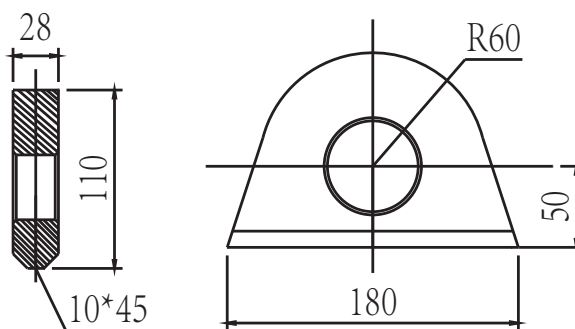
Single Lashing Plate

Weight:1.8 Kg

Breaking Load:500KN

Material:Drop Forged Steel

Finish:Primer Painted



LP-1

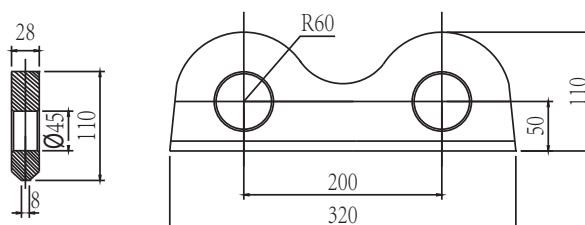
Single Lashing Plate

Weight:3.2 Kg

Breaking Load:500KN

Material:Drop Forged Steel

Finish:Primer Painted



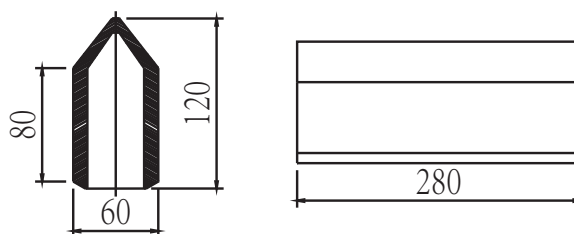
LP-2

Guide Block Inner Type

Weight:11 Kg

Material:Shipbuilding Steel

Finish:Primer Painted



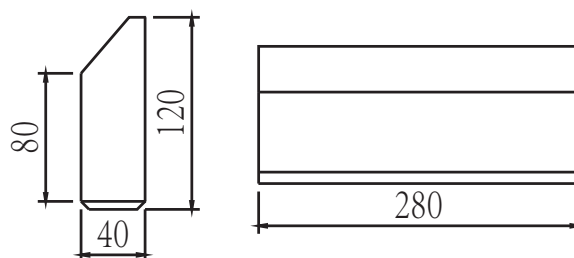
GB-1

Guide Block Inner Type

Weight:7.2 Kg

Material:Shipbuilding Steel

Finish:Primer Painted



GB-2