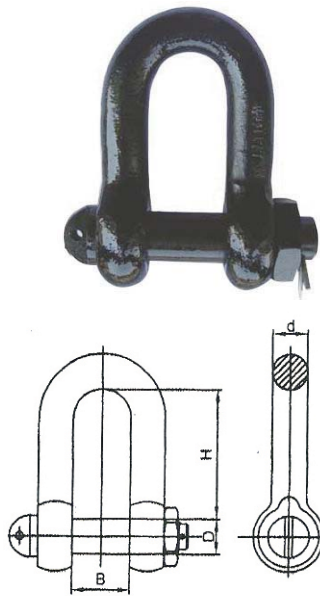


Alloy Steel Strong Shackles

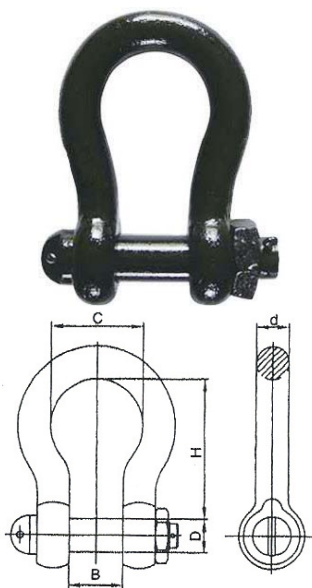
D Type Shackle With Alloy Steel



PG D Type Shackle

Type	SWL	Dimensions				Weight
	KN	A	B	E	F	KG
D5	49	23	26	44	97	1.9
D6.3	62	26	29	50	109	2.5
D8	78	29	33	56	123	4.0
D10	98	33	37	63	138	5.0
D12.5	123	36	42	70	154	6.8
D16	157	41	47	79	174	10.8
D20	196	46	52	89	195	13.4
D25	245	51	59	99	218	21.5
D32	314	58	66	112	247	30.9
D40	392	65	74	125	275	42.5
D50	490	72	83	140	308	59.6
D63	617	81	93	157	346	82.8
D80	784	91	105	177	390	172.1
D100	980	102	118	200	436	120.4
D125	1225	114	132	221	490	233.3

Bow Type Shackle With Alloy Steel



PG D Type Shackle

Type	SWL	Dimensions					Weight
	KN	d	D	B	C	H	KG
C5	49	26	28	44	75	111	2.6
C6	62	29	32	50	84	124	3.6
C8	78	33	36	56	95	140	5.4
C10	98	36	40	63	106	157	7.3
C12.5	123	41	44	70	119	175	10.3
C16	157	46	50	79	135	198	14.3
C20	196	51	56	89	150	221	19.9
C25	245	57	63	99	168	248	28.1
C32	314	65	71	112	190	280	40.9
C40	392	72	79	125	213	313	55.4
C50	490	81	89	140	248	350	80.36
C63	617	91	100	157	267	394	112.3
C80	784	102	112	177	301	444	158.6
C100	980	114	126	200	340	500	222.1
C125	1225	128	141	221	380	560	310.3

Specification

- Material :Forged Alloy Steel
- Safety Factor:M.B.L equals $6 \times WLL$ for 5T–25T. $4 \times WLL$ for over 25T
- Certificate :Work shop certificate,class certificate upon request
- Remarkd :High safety factor,Easy Operation