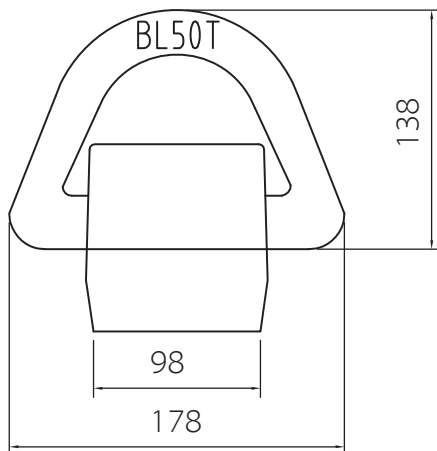
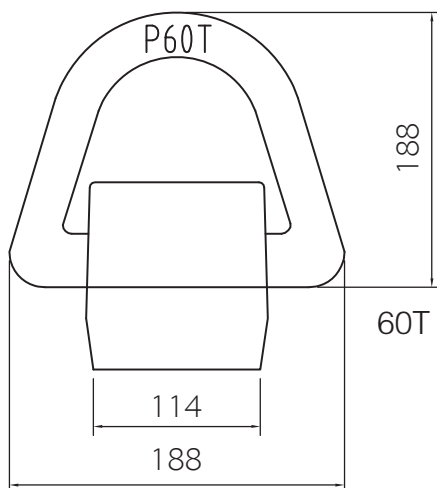
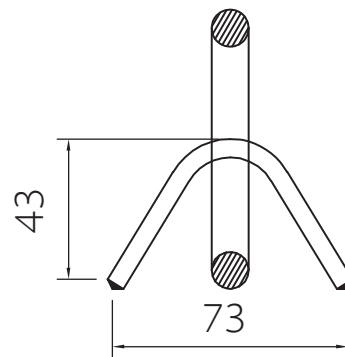


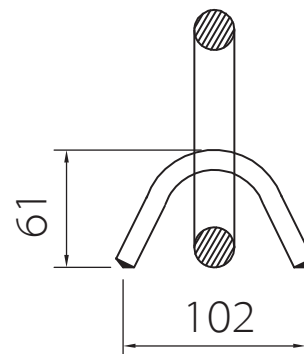
D Rings



Enlarge 50T D rings



60T D rings



Type	M. B. L	Weight
DR-E50T	490KN	2.8KG
DR-60T	588KN	3.78KG

Specification

- Material :Heat Treatable Steel
- M.B.L :See Table
- Finish :Painted
- Certificate:Work shop certificate,class certificate upon request