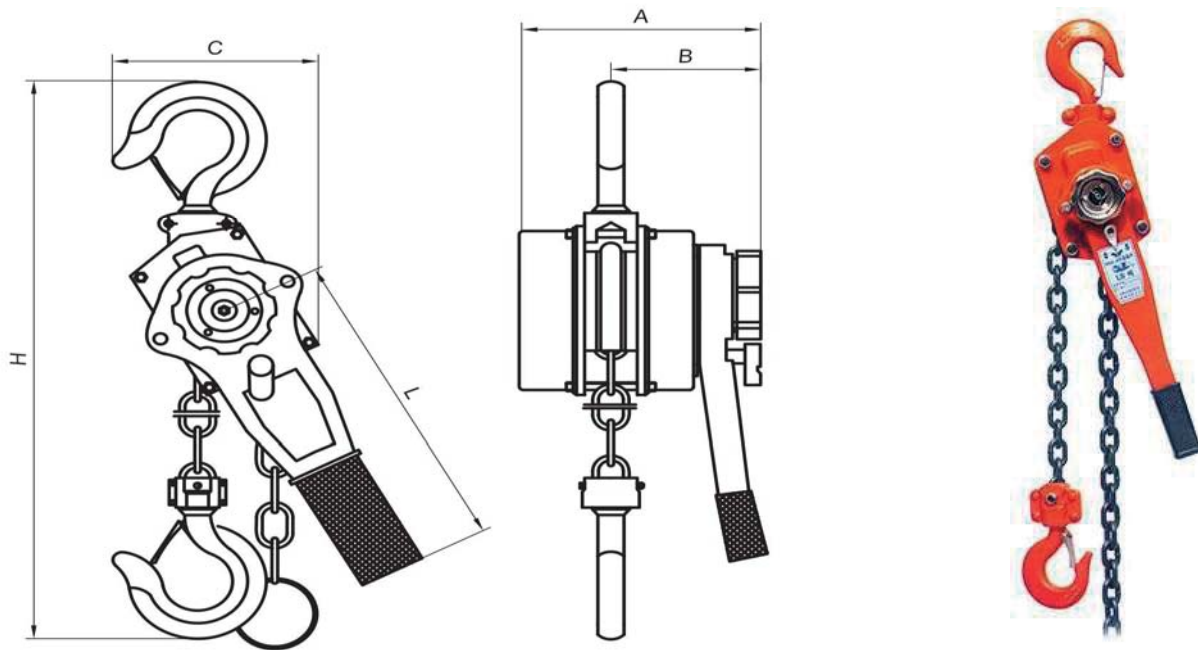


Link Chain Hand-Lever Hoists



Model		HSH-0.75A	HSH-1.5A	HSH-3A	HSH-6A
Rated cap		0.75	1.5	3	6
Standard lift height		1.5	1.5	1.5	1.5
Test load		0.94	1.88	3.75	7.5
Effort required to lift max.load		140	220	320	340
Headroom		325	380	480	620
Diameter of load chain		6	8	10	10
No.of columns of load chain		1	1	1	2
Dimensions	A	150	175	200	196
	B	95	100	113	109
	C	135	155	200	260
	D	28	32	40	50
	L	260	415	415	415
Net weight		7.2	11.5	21	31
Extra weight per meter of extra lift		0.92	1.6	2.4	4.8